



# LIGHTING

## FIXTURE HANGERS



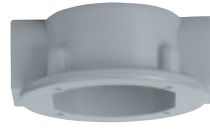
FH

Hook

### V Hanger Boxes



VGA



VGC



VGH



VGX

### Covers



Flexible Hanger Covers



Hub Covers  
(for Rigid Mounting)

## FEATURES-SPECIFICATIONS

### FH HOOK

#### Features

- Economical hanger for pendant fixtures
- Fixtures may absorb minor bumps and vibration through free swinging action
- Hub provided with a set screw to pre-vent accidental loosening of fixture stem
- A 1/2 inch hole in body is for flexible cable. Cord may be assembled with plug for quick removal of fixtures
- Cast of aluminum alloy (copper-free—less than 4/10 of 1%)
- FH supports up to 125 pounds

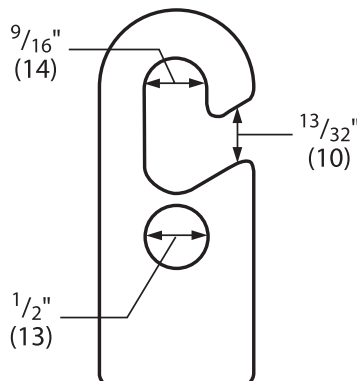
### V SERIES

#### Features

- Flexible fixture hanger for threaded fixture stem. +120° from vertical
- Enclosed and gasketed, suitable for wet locations
- Permits angular displacement of fixture without twisting wires
- Cushioned—absorbs shock and vibration. Internal strap assures ground continuity
- Combines splice box and hanger in one unit. Splice box available in four configurations
- Cast of corrosion resistant aluminum alloy (copper-free—less than 4/10 of 1%)
- Supports up to 125 pounds

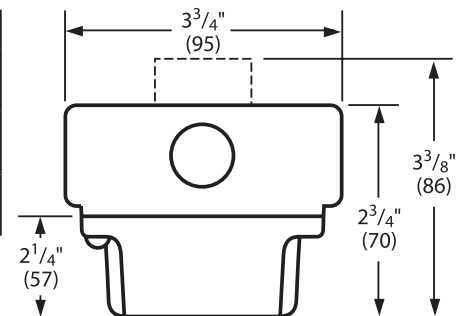
UL LISTED - File E27731 or E3397

FH HOOK, LOOP		
CATALOG NUMBER	DESCRIPTION	FIXTURE STEM SIZE
FH-2	Hook	3/4"



FLEXIBLE HANGERS, V SERIES ENCLOSED AND GASKETED			
CATALOG NUMBER		HUB SIZE	FIXTURE STEM SIZE
HANGER W/SPLICE BOX	SPLICE BOX ONLY		
VPFHA-12	VGA-1	1/2"	3/4"
VPFHA-22	VGA-2	3/4"	3/4"
VPFHC-12	VGC-1	1/2"	3/4"
VPFHC-22	VGC-2	3/4"	3/4"
VPFHH-12	VGH-1	1/2"	3/4"
VPFHH-22	VGH-2	3/4"	3/4"
VPFHX-12	VGX-1	1/2"	3/4"
VPFHX-22	VGX-2	3/4"	3/4"

FIXTURE HANGERS ONLY		
CATALOG NUMBER	DESCRIPTION	FIXTURE STEM SIZE
VPFH-2	Flexible hanger cover, maximum load 125 Lbs.	3/4"
VG-2	Hub cover for rigid mounting	3/4"



Flexible cover with box, dotted line is VGA pendant

UL LISTED - File E27731 or E3397

See files for details or call Killark